

Optoelectronic Sensors

Series A1S30...A1S36P



KEY FEATURES

- Sensing distance up to 1 cm (A1S30P) and up to 10 cm (A1S36P)
- Frequency range 10 Hz...15 kHz (1 million RPM)
- Easy and quick to use, only in connection with our portable tachometers C118
- Further flexibility via optional extension cable available up to 30 meters
- Operating temperature 0...50 °C

BENEFITS

- Ease and flexible of use, the favorite for variable use

Sensors A1S30...A1S36P – best for flexible and portable use

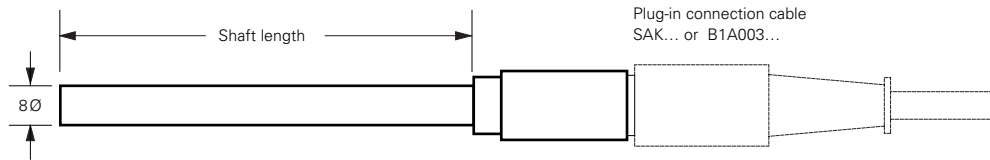
The BRAUN Optoelectronic Sensor Series A1S30P and A1S36P are designed for various applications with smooth or profiled targets: a dot of paint on a shaft is adequate to start measurements. Likewise, a fan blade, a screw head, a slot or cam will serve. Our high reflecting adhesive tape U1A006 helps with difficult applications. Function does not depend on the target material. Therefore no load influence of the object.

The A1S36P sensors are especially designed for difficult conditions or in heavy duty ambience, such as the wet section of paper machines, or automotive tests on the road by virtue of its enhanced light beam and tight cable connection. The version A1S36WP35 specifically addresses narrow space applications by its short shaft and its angled cable output. The sensing distance is widely dependent on contrast and reflection grade of the target. Recommended 1-2 cm for the A1S30P and 1-10 cm for the A1S36P. It is not affected by luminescent light ambience.

Specifications of A1S30...A1S36P

Light Source	High performance LED red (ca. 645 nm), < 125 mW
Signal Frequency	10 Hz...15 kHz
Sensing Distance	Up to 1 cm (A1S30P) Up to 10 cm (A1S36P) Not affected by luminescent light ambiance. Requires reflection tape U1A006 as mark on the target.
Signal Output	Fitting to BRAUN C118 hand-held tachometer
Signal Transmission	The low level and high impedance signal character allows a maximum of 30 meters, within an interference-free ambiance only. Our cables SAK-xm provide the necessary uninterrupted screening.
Power Supply	Electric current supplied by BRAUN C118 hand-held tachometer
Connection	Via cable SAK-xm to BRAUN C118 hand-held tachometer
Operating Conditions	Ambient temperature: 0...50 °C (30...125 °F) Relative humidity max. 80%, non-condensing
Dimensions	Available with shaft length 35 mm (short version) or 95 mm (as standard). Shaft diameter 8 mm.
Weight	Depends on the length and shaft diameter of the sensor and the used cable
Optional Cables	SAK-xm (PVC sensor connecting cable) x = cable length in m (up to 30 meters)

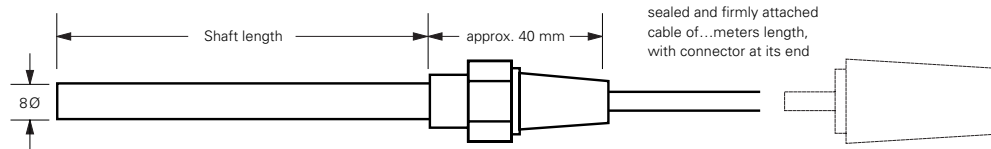
A1S30P



Specifications

Available with a shaft length of 95 mm (standard) and 35 mm. Shaft diameter 8 mm. Plug-in connector at shaft end.

A1S36P

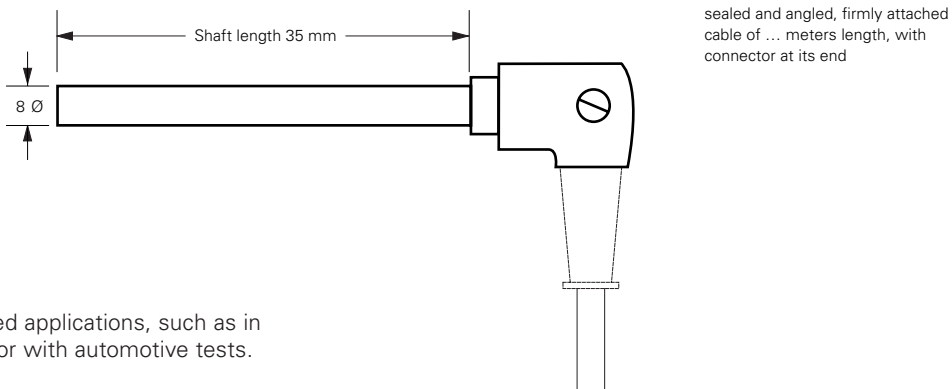


Specific notes

For heavy duty applications (paper machines etc.) by virtue of intensified light emission and firmly attached sealed cable.

Available with shaft length of 95 mm (standard) or 35 mm. Shaft diameter 8 mm.

A1S36WP35



Specific notes

For narrow spaced applications, such as in paper machines or with automotive tests.

Ordering Key

A1S | - m

Version according to above:

30P
36P
36WP

length of firm cable (if any),
in meters, preference 2 m,
5 m or 10 m

Shaft length (by mm): 35 or 95*

*version 36WP only available with 35

BRAUN – Speed Monitoring and Protection Systems for Rotating Equipment

BRAUN is a worldwide leading supplier of protection systems for rotating equipment in industrial applications that require the highest standards of safety and availability.

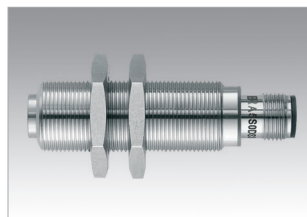
For more than 50 years BRAUN systems have been protecting the facilities of the world's leading companies within the power generation, oil, gas and chemical industries. BRAUN Protection Systems have been installed in over 100 countries worldwide, especially in those areas where rotational equipment safety is of the highest priority.

Our solutions comprise a variety of products for the detection, reporting and monitoring of speed and related parameters.

Always matching the requirement. Always the perfect solution for safety and availability.



PROTECTION SYSTEMS



SPEED SENSORS



TACHOMETERS



PORTABLE TACHOMETERS

BR BRAUN
Speed and Frequency

BRAUN GMBH

Esslinger Strasse 26 · D-71334 Waiblingen · Germany

Phone: +49(0)7151/9562-30 · Fax: +49(0)7151/9562-50

E-mail: info@braun-tacho.de · Internet: www.braun-tacho.de

